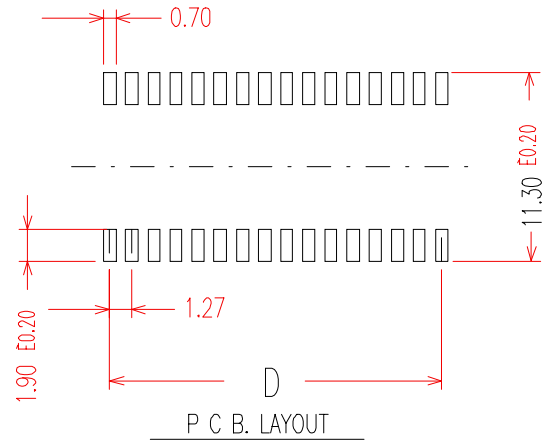
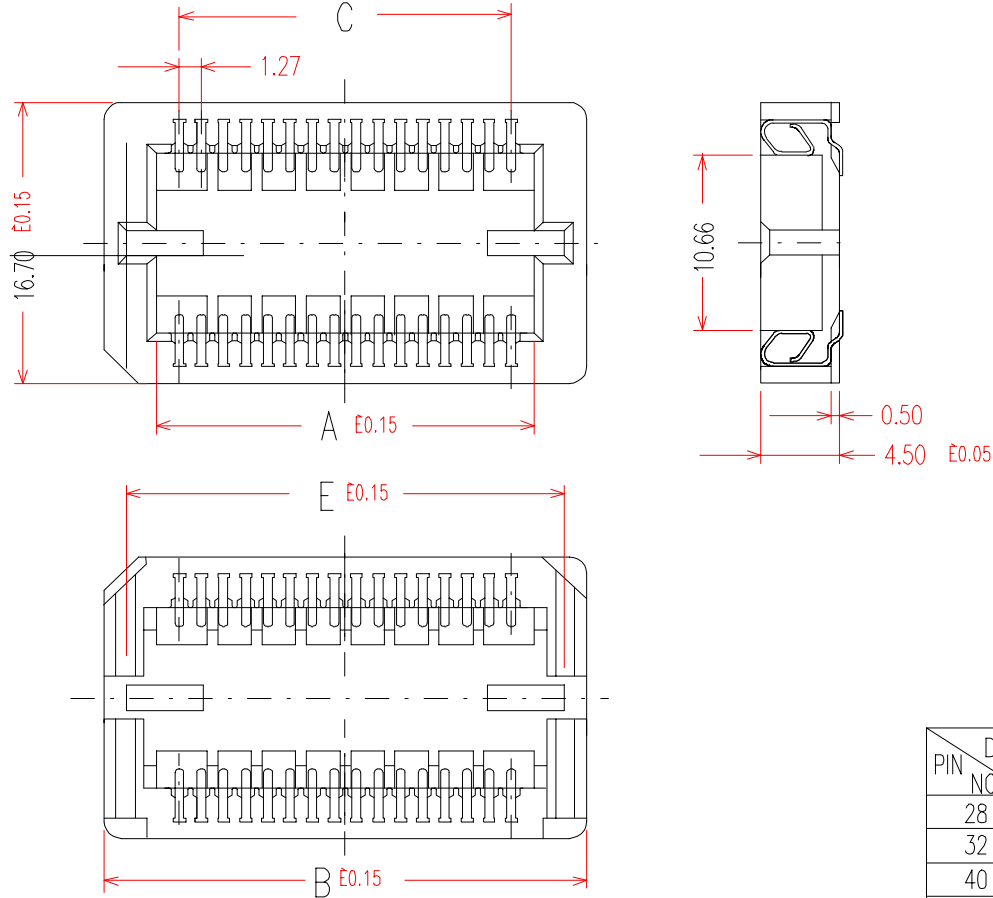


CUSTOMER DRAWING ONLY



NOTE:

- 1. POLERIZING PEGS ARE OPTIONAL.
- 2. MATERIAL:
 HOUSING - THERMOPLASTIC PA-6T UL 94V-0
 CONTACT - PHOSPHOR BRONZE.

PIN DIM. NO.	A	B	C	D	E
28	19.04	25.20	16.51	16.51	22.62
32	21.58	27.74	19.05	19.05	25.16
40	26.68	32.82	24.13	24.13	30.24
42	27.93	34.10	25.40	25.40	31.51

Drawn By: LJ, H	Checked By: PFR	Material: Insulator: PPS Contacts: Phosphor Bronze	Chupond America, Inc. PO BOX 1402, NEWTOWN, PA 18940 USA	
Drawn: 2/25/95	Scale: None	Plating: 150µ" Sn/Pb over 50µ" Ni	TITLE: SMT SOJ SOCKET (.400" Pitch)	
Released: 2/25/95	Sheet 1 of 1	Tolerances: ± 0.125mm; ± 0.25mm; and ±2°	ENG. #: 0902-4YY-N (Y= # OF PINS)	Rev.

This drawing contains information proprietary to Chupond America, Inc. and cannot be used without permission